

Handling System for Rack Type Cord Conveyor for Trays - 1000mm

ITEM # _____

MODEL # _____

NAME # _____

SIS # _____

AIA # _____


865122 (HSCCT10)

 Cord conveyor for trays,
1000 mm

Short Form Specification

Item No. _____

Constructed in 304 AISI stainless steel without legs. Twin cords in 15mm reinforced polyurethane. Designed for trays up to 375x530mm.

Main Features

- No legs included.
- Range allows a large number of conveyor combinations.
- Wall mounted on request.
- Available as optional accessory a remote easy-to reach emergency-stop buttons fitted where required.
- Maximum load 5 kg/m uniformly spread.
- For distance longer than 3m: required additional pair of legs.

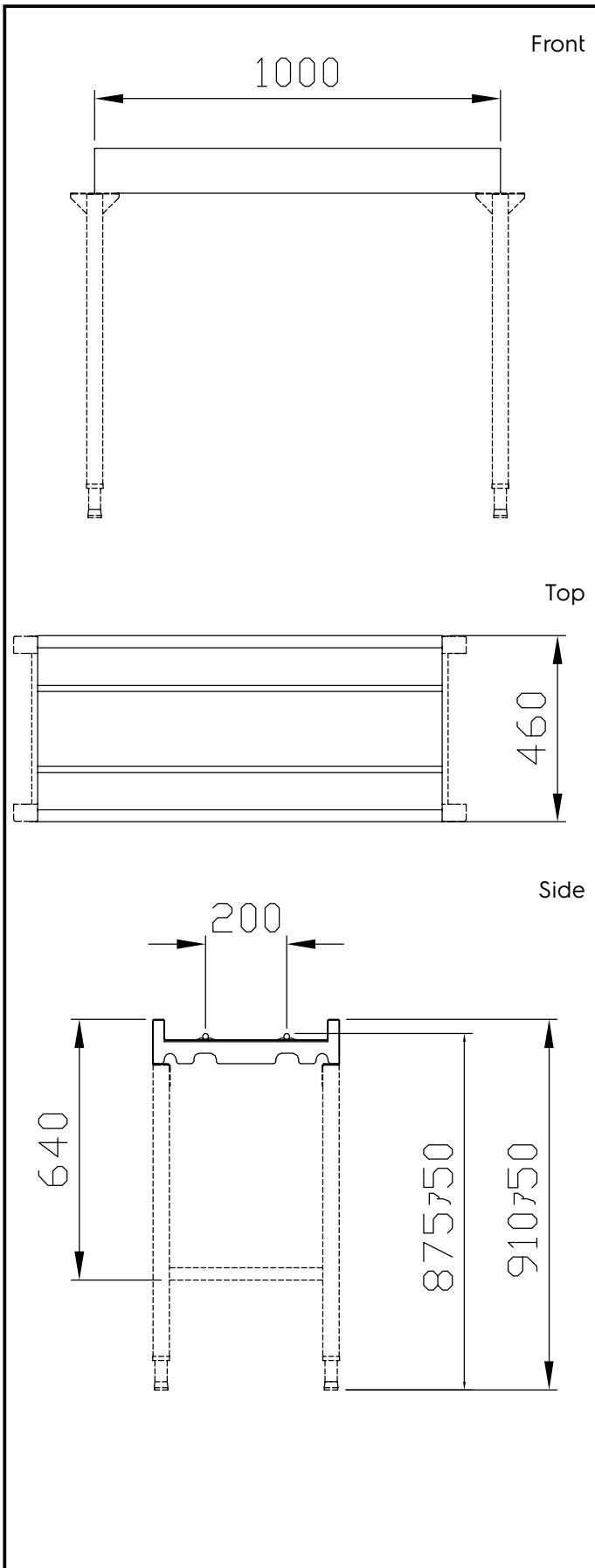
Construction

- For trays up to 375x530mm.
- Conveyors available with low edge on one side, to aid unloading when used as sorting unit.
- All surfaces smooth with polished finish.
- S/S plain conveyor base for easy cleaning.
- Constructed in AISI 304 1,5mm stainless steel.
- 15mm reinforced polyurethane cord, for smooth and easy running.

Optional Accessories

- Set of legs for cord conveyor for trays PNC 865138
- Empty tray indication device PNC 865140
- Emergency switch for cord conveyor PNC 865141
- Start/stop switch for cord conveyor PNC 865142
- Kit for cord welding PNC 865143
- Waste trough, 2000x290x865mm PNC 865144
- Waste trough, 3000x290x865mm PNC 865145
- Wash system for waste troughs 2000/3000mm PNC 865146
- Sorting top, 600mm PNC 865149
- Sorting top on legs with hole and rubber ring, 600mm PNC 865150
- Sorting top on legs, 600mm PNC 865151
- Empty tray indication device (electronic) PNC 865154

APPROVAL: _____



Key Information:

External dimensions, Width:	1000 mm
865122 (HSCCT10)	
External dimensions, Depth:	460 mm
External dimensions, Height:	910 mm
Net weight:	14 kg
Height adjustment:	50/50 mm
Basin material:	Stainless Steel AISI 304 - EN 1.4301